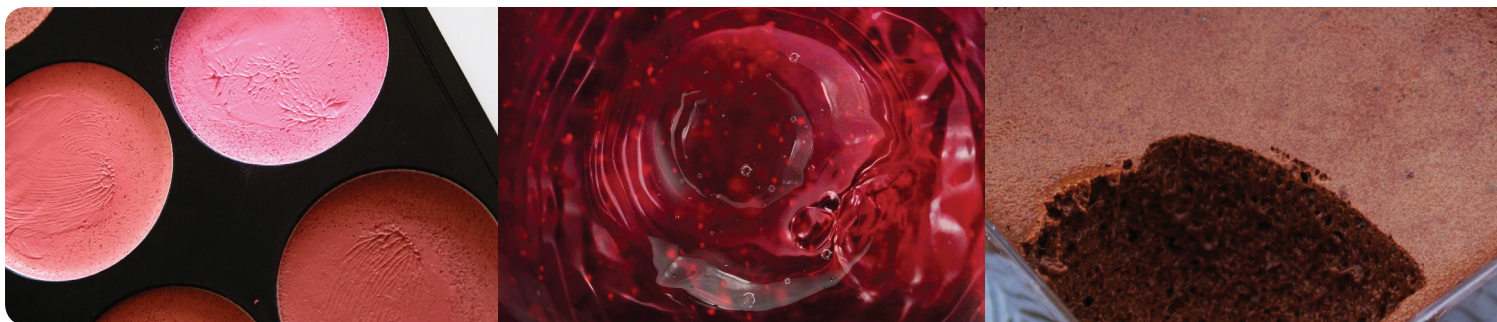


JE Series

(Jump Eccentric)



Eccentric disc pumps



Application areas

Respecting shear sensitive products



Food industry

Yoghurts and creams transfer, chocolate and chocolate mousse, doughs, syrups, etc.



Oil industry

Oils, fuel, diesel, etc.



Chemical industry

Solvents transfer, polymers, acids, etc.



Industrial applications

Oils, paints, varnishes, glues, etc.

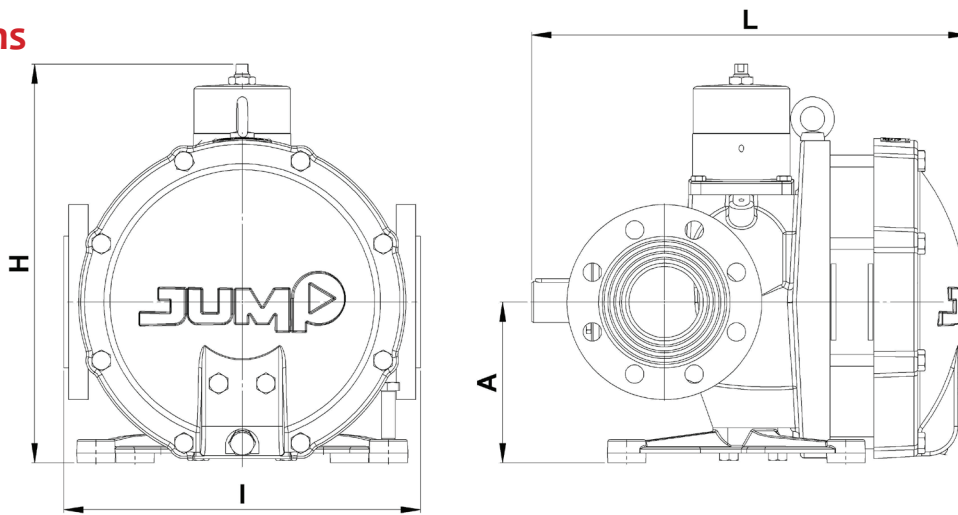
Operation principle

A shaft drives a piston inside a cylinder. The eccentric movement creates two pumping chambers allowing the transfer of the fluid from suction to discharge port.

Characteristics

		Size 1 - DN50			Size 2 - DN65			JE16
		JE1	JE3	JE5	JE6	JE9	JE12	
Pumping technology		Eccentric disc						
Sealing technology		Mechanical seal DIN 24 960 (EN 12 756)						
Cylinder capacity	L	0,020	0,053	0,086	0,16	0,24	0,33	0,53
Speed (max.)	Rpm	1000	1000	1000	650	650	650	550
Flowrate (max.)	m ³ /h	1	3	5	6	9	12	16
Differential pressure (max.)	bar	10						
Minimum operating temperature	°C	-10						
Maximum operating temperature	°C	250						
Weight	Kg	35	37	39	61	63	65	105
Dimensions	mm L	283	288	293	361,5	370,5	380,5	438
	I	240	240	240	300	300	300	366
	H	305	305	305	368	368	368	426
	A	110	110	110	140	140	140	165
ATEX		Yes						

Dimensions



Materials

	JEc «Ductile iron»	JEs «316L Stainless steel»	JEk «Stainless cast iron»
Piston	Ductile iron	Jumplnox (option Bronze, etc.)	Stainless cast iron (Option Bronze, etc.)
Cylinder	Ductile iron	316L Stainless steel	316L Stainless steel
Body / Front cover / Foot / Bypass	Ductile iron, Steel	316L Stainless steel	Stainless cast iron
Bearings	Carbon (option bronze, ductile iron, PEEK,...)		
Seals	FKM, PTFE (option FEP/FKM, EPDM...)		
Screws	Steel	Stainless steel	Steel

Options

- Fitting flanges ISO PN16 or PN20, barbed, Clamp, SMS, MACON, RJT, CAM-Lock, DIN, threaded...
- Heating jacket.
- With or without bypass.
- Mechanical seal Jump or other brands.

Size 3 - DN80		Size 4 - DN100			Size 5 - DN125			Size 6 - DN150		
JE20	JE24	JE30	JE36	JE42	JE50	JE58	JE66	JE76	JE86	JE96
0,65	0,78	1,19	1,38	1,57	2,51	2,82	3,13	4,45	4,99	5,54
550	550	450	450	450	350	350	350	300	300	300
20	24	30	36	42	50	58	66	76	86	96
110	115	160	165	170	220	225	230	280	290	300
448	458	513	523	533	583,3	593,3	603,3	690	700	710
366	366	390	390	390	450	450	450	500	500	500
426	426	470	470	470	564	564	564	630	630	630
165	165	185	185	185	225	225	225	260	260	260

Illustrations

The +

Very low shear rate

Self-priming

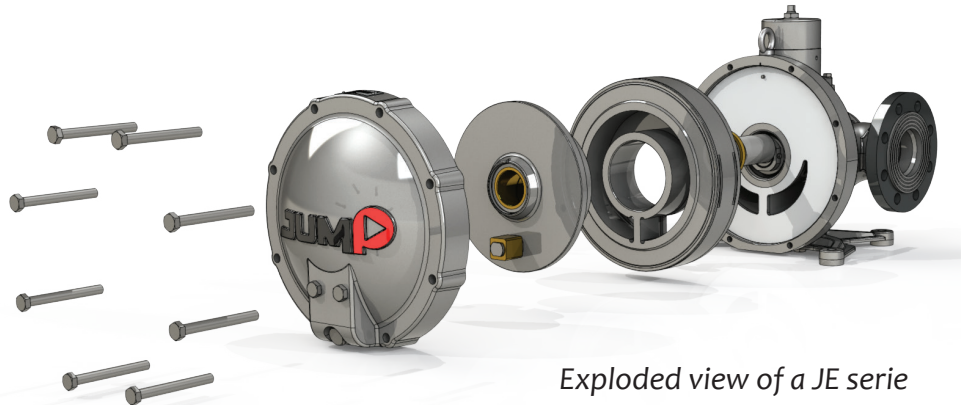
Reversibility

Dry run capabilities

Strong suction and
compression power

Reduced maintenance
time thanks to innovative
disassembly system of the
seal from the front without
uncoupling the gear motor
and piping

Mechanical seal DIN 24 960
(EN 12 756)



Exploded view of a JE serie



JE5c and JE36c pumping units on
stationnary chassis



Pumping unit JE24s